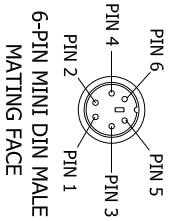
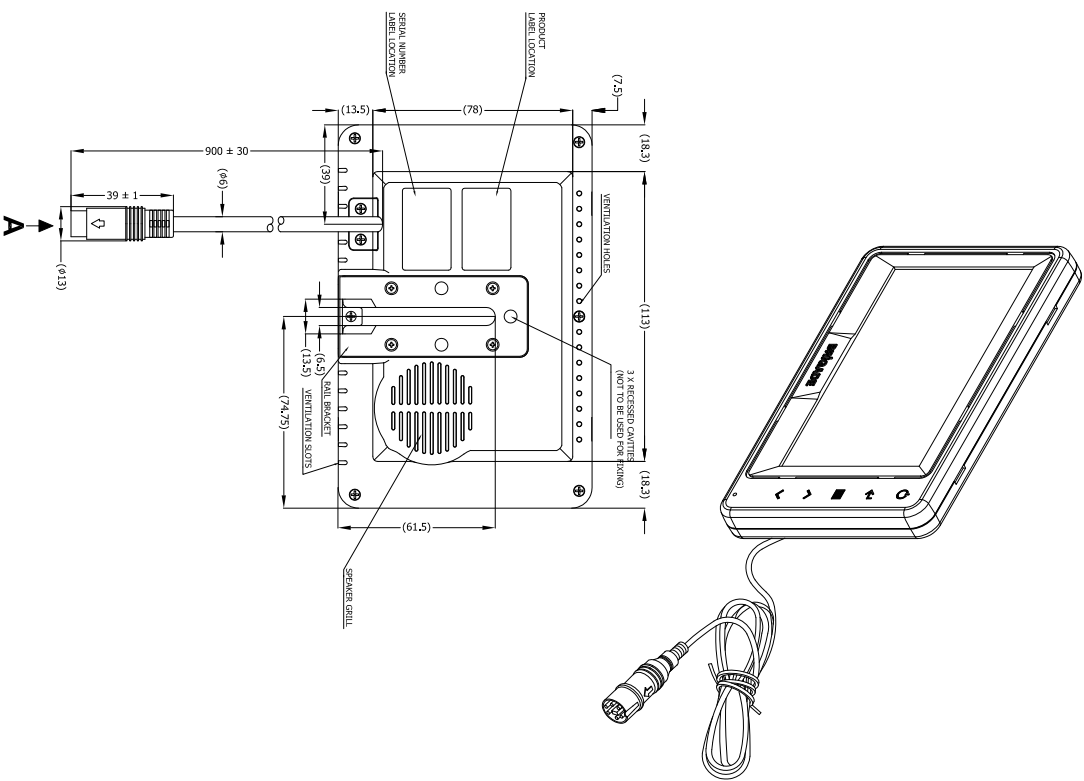
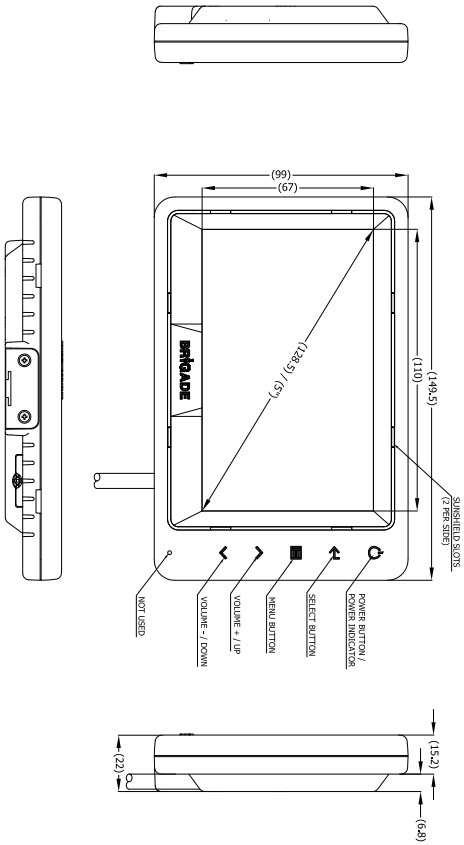


# VIEW A



PIN #	WIRE COLOUR	DESCRIPTION
1	BROWN	TRIGGER 1
2	YELLOW	VIDEO
3	GREEN	CAN 1 12VDC CUT
4	BLACK	GROUND
5	WHITE	AUDIO
6	RED	12/24VDC



## NOTES:

1. REFER TO "PRODUCT SPECIFICATION" FOR MORE DETAILS.
2. FOR PRODUCT LABEL REFER TO LATEST REVISION OF DRAWING BE-002915-XX-14.
3. FOR PRODUCT SERIAL NUMBER LABEL REFER TO LATEST REVISION OF DRAWING BE-001324-XX-10.
4. FIRMWARE VERSION SV-MO710-703-02-V1.0.8 (BE-VB/650M-V1.0) TO BE PRELOADED TO THE MAIN BOARD & FIRMWARE VERSION MA83P05-MO711-V1.0 TO BE PRELOADED TO THE KEYPAD BOARD DURING MANUFACTURE.
5. HOUSING MATERIAL: ABS PLASTIC, RAIL BRACKET MATERIAL: STEEL.
6. KEYPAD BUTTONS / SYMBOLS & EMBOSSED LOGO TO BE WHITE.
7. FINISH: BLACK COLOUR PAINT.

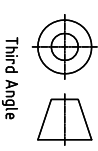
## PROPRIETARY NOTICE

THIS DESIGN AND TECHNICAL INFORMATION APPEARING ON THIS DRAWING IS THE PROPERTY OF BRIGADE ELECTRONICS, AND IS DISCLOSED IN CONFIDENCE. IT IS NOT TO BE COPIED, REPRODUCED, REVEALED TO OR EXPLOITED BY OTHERS, EITHER IN WHOLE OR IN PART WITHOUT THE EXPRESS WRITTEN CONSENT OF BRIGADE ELECTRONICS.

## Revision Notes

R1 -	Drawn:-	Checked:-	Approved:-	Date:-
APPA:-				

**BRIGADE**  
www.brigade-electronics.com



Assembly Pl Approval YILING ZHANG (03/12/14)	Approved by B.JOHN	Checked by RBATES	Drawn by MBUTLER
Units mm	Scale N/A	Released 03/12/14	Assembly Ref
Status RELEASED	VBV-650M-M		
Part No 4720	BE-002917-00-14		